

# 1

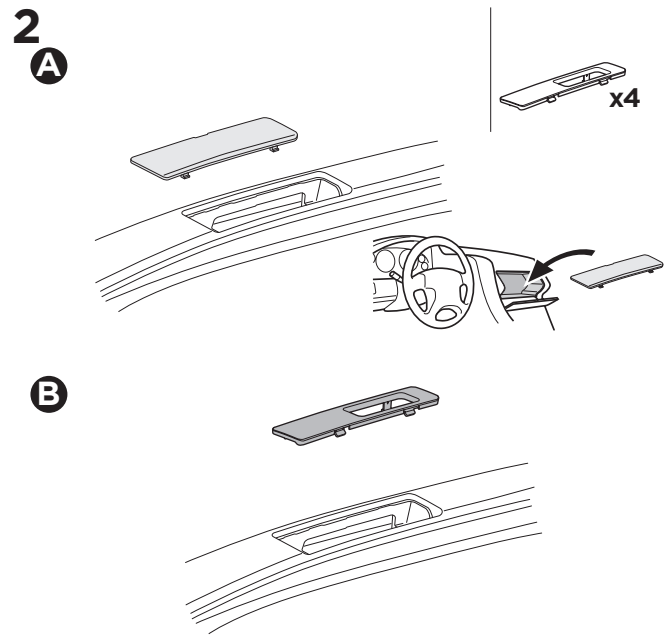
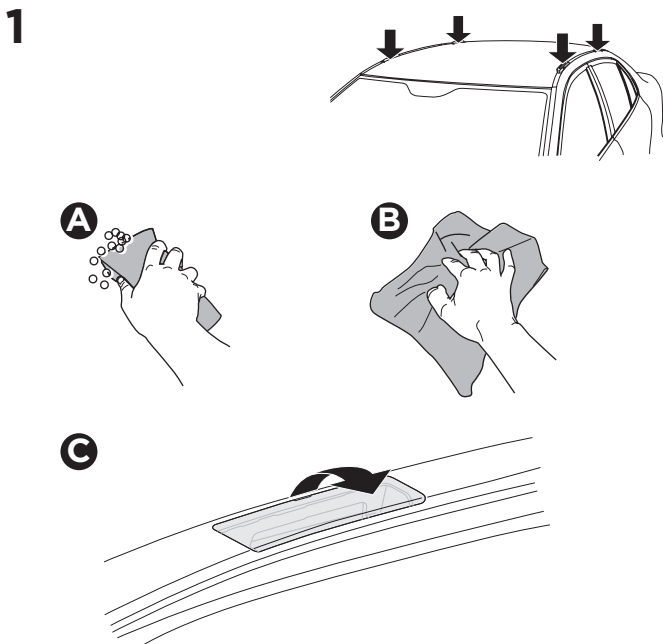
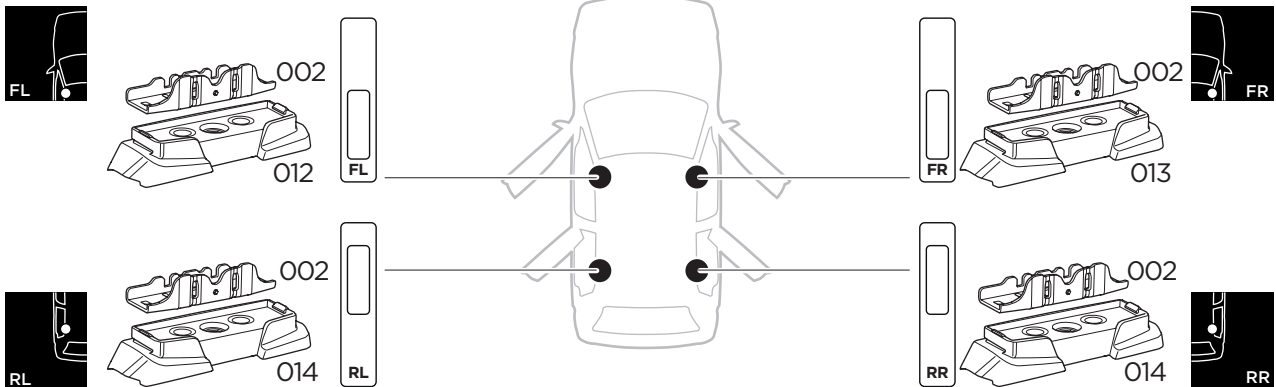
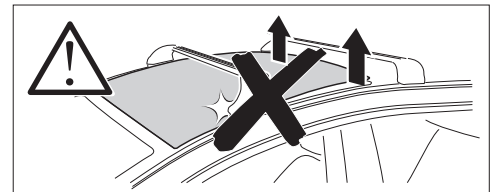
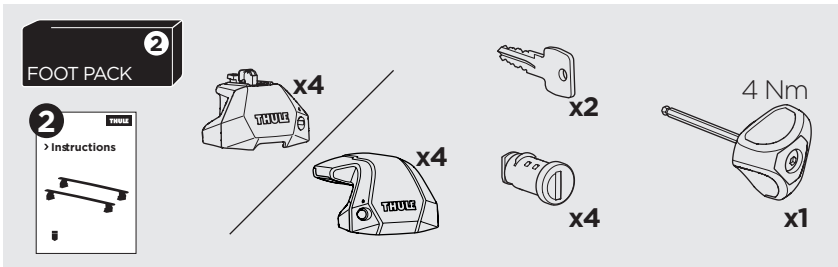
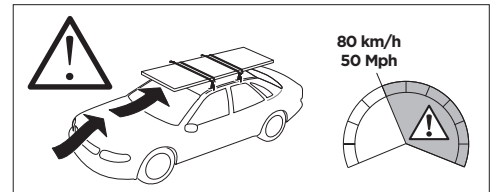
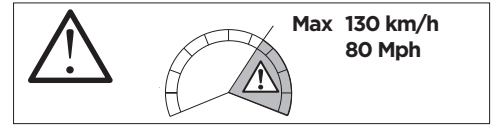
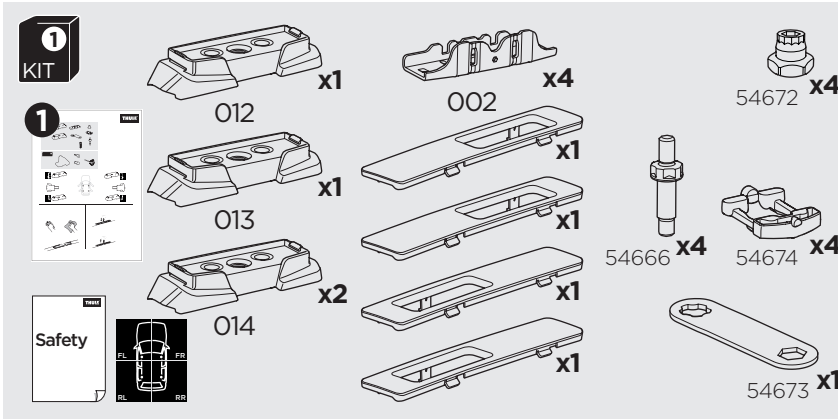
## Kit 187055

SUZUKI Across, 5-dr SUV, 21-  
TOYOTA RAV4, 4-dr SUV, 19-

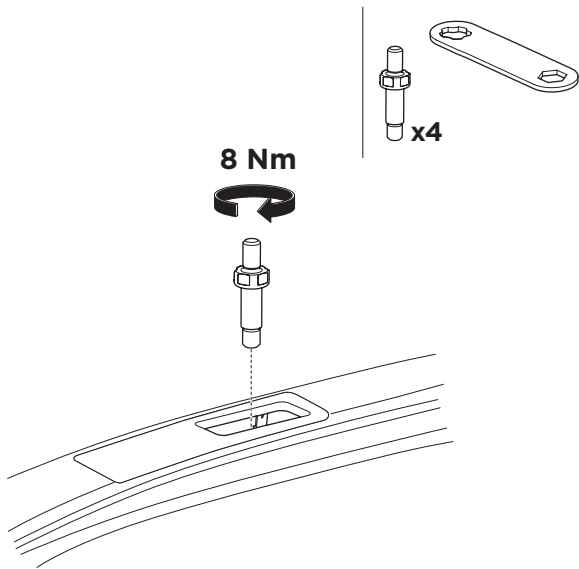


ISO 11154-E

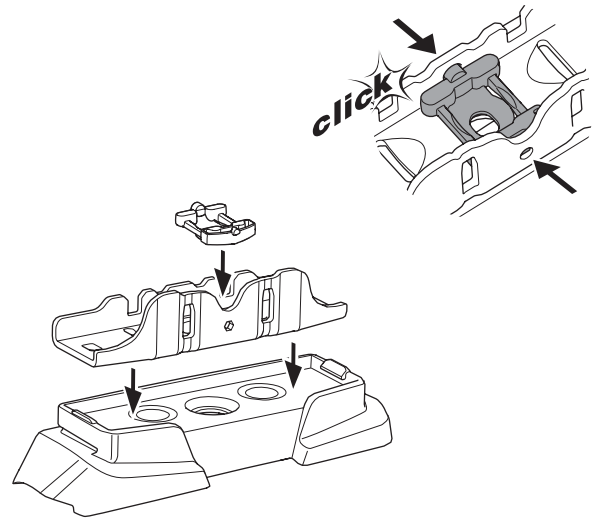
This kit is only for vehicles with fixpoint mounting.



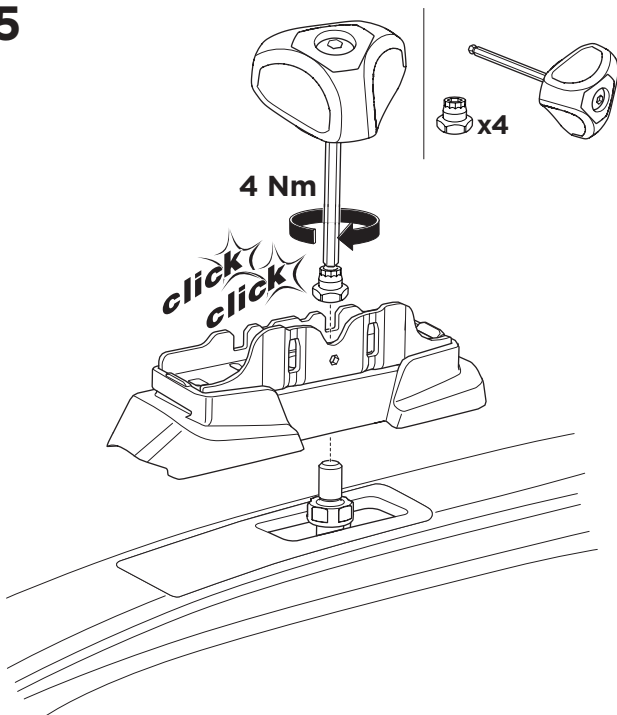
3



4



5



6

